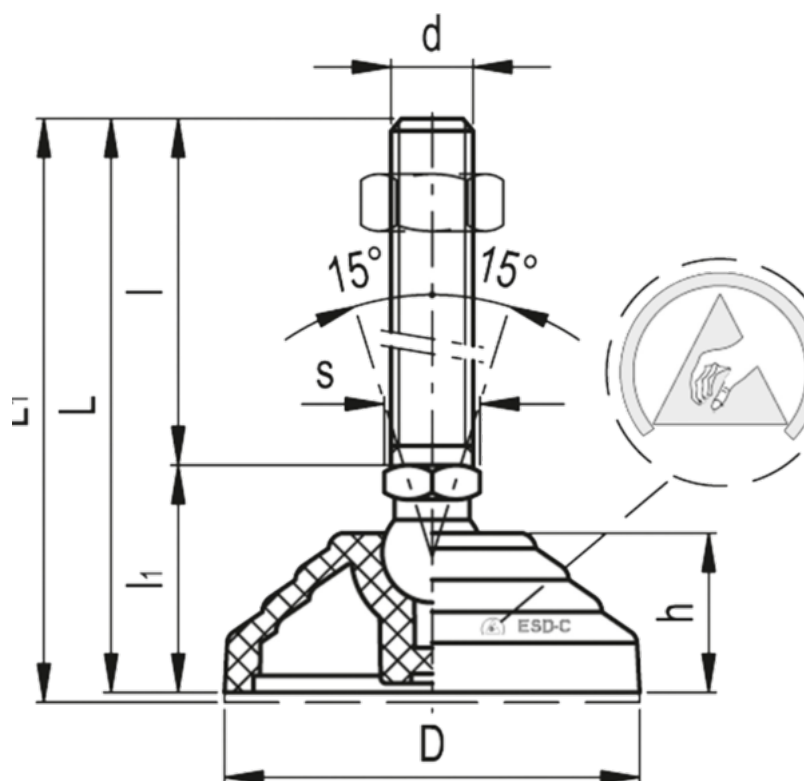


Article number: 2310309561ESD

Description: E+G Antistatic base for levelling elements
LV.A-100-24-AS-M16x158-ESD-C

Measures



Articulation	= 24	Max load	= 25000
D	= 100	s	= 24
d	= M16	Weight in (g)	= 433
h	= 24		
l	= 158		
l1	= 43		
L	= 201		
L1	= 204		